

# Portable Electric Scooter



Electric two wheels

A new era in urban mobility

The most economical vehicle in history

## USER MANUAL

Thank you for purchasing our products

**PLEASE CAREFULLY READ THE USER MANUAL AND  
WARRANTY BOOK BEFORE USING**





## **WARNING**

**Whenever you ride the E-Twow electric two wheel scooter you risk serious injury from collisions, falls or loss of control. To ride safely, YOU MUST READ AND FOLLOW ALL INSTRUCTIONS AND WARNINGS IN THIS MANUAL.**

**Check local laws and regulations to see where and how you may use your E-Twow scooter legally. Obey to all applicable laws for vehicles and pedestrians.**

**This manual includes basic operational instructions for the E-Twow scooter. It cannot cover all situations where injury or death may occur. OPERATORS MUST USE GOOD JUDGMENT AND COMMON SENSE TO DETECT AND AVOID HAZARDS AND DANGERS that they may encounter when riding the E-Twow. By using the E-Twow scooter, you accept of the inherent risks of operating this product.**

**FAILURE TO USE COMMON SENSE AND GOOD JUDGMENT AND HEED THESE WARNINGS CAN CAUSE SERIOUS INJURY. USE AT YOUR OWN RISK AND WITH APPROPRIATE AND SERIOUS ATTENTION TO SAFE OPERATION. USE CAUTION AT ALL TIMES.**

# CONTENTS

<b>MAIN PARTS</b>	<b>4</b>
<b>SAFETY</b>	<b>5</b>
<b>PRODUCTS</b>	<b>7</b>
Folding stages	7
Folding steps	8
Unfolding steps	9
<b>OPERATION</b>	<b>10</b>
Introduction of Handlebar parts	10
Operation Instruction	10
Display Factory settings	12
<b>RIDING OPERATION</b>	<b>13</b>
Ready	13
Start	13
Brake	13
Cruise control	14
Zero start	14
<b>BATTERY AND CHARGER</b>	<b>15</b>
Battery	15
Charger	15
Charge Description	15
<b>MAINTENANCE</b>	<b>16</b>
Lubricating	16
Battery	16
Placement and daily care	16
<b>GENERAL TROUBLESHOOTING</b>	<b>17</b>
<b>PRODUCT SPECIFICATION SHEET</b>	<b>18</b>

## MAIN PARTS



1. Handlebar
2. UBHI (Display, etc)
3. LED headlight
4. Hooter
5. Lock lever

6. Folding hook
7. Battery charging jack
8. Folding lever
9. Lock bolt
10. Rear brake

# SAFETY

1. The product is for adults only (above 18 years), limited for one adult. Please do not carry two adults at the same time. Is not suitable for minors.
2. Always inspect the scooter prior to use. Properly inspecting and maintaining your product can reduce the risk of injury.
3. Please wear your safety helmet and other protective equipment when riding. Use an approved bicycle or skateboard helmet that fits properly with the chin strap in place and protects the back of your head. Local legislations may require riders of two wheels products to wear a helmet and other protective gear. Never ride the scooter barefoot or in open-toed shoes or high-heels.
4. Do not ride in traffic lane or unsafe roads and do not break local regulations.
5. Please exercise in wide areas, and ride after skilled manipulation, do not ride in traffic lane.
6. Do not make any dangerous actions when riding or riding with one hand. Keep your feet on the scooter.
7. Do not attempt to ride the scooter on stairs that are above 3 cm, it may overturn causing injuries and/or damages to the rider and/or scooter.
8. Highest speed is 30 Km/h. For your safety, please limit the speed to 20 Km/h. Please try to avoid using it at night, if needed, please limit the speed within 15 Km/h or less and turn the headlights on.
9. Do not use the scooter when the outside temperature is lower than 0°C.
10. Please slow down or get off from the scooter when riding in poor road conditions.
11. Do not ride the scooter in oily or icy surface terrain.
12. Please adjust the handlebar according to your height to ensure a safe riding.

13. To avoid damages of the electrical parts of the vehicle please do not immerse the scooter in the water with the depth of more than 4 cm and do not wash it with water under pressure.
14. For protection please do not ride the scooter in bad weather such as heavy rain and high winds.
15. Do not drink alcohol and drive **E-Twow** scooter.

# PRODUCTS

## Folding stages



A – unfolded



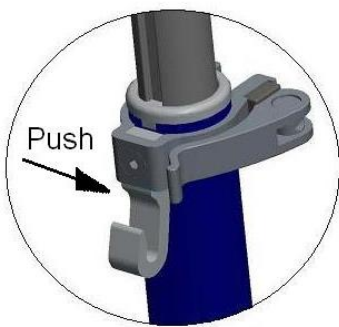
B - folded handlebars



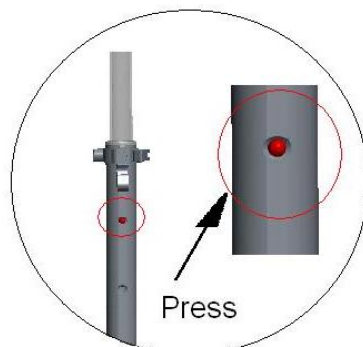
C - fully folded

## Folding steps

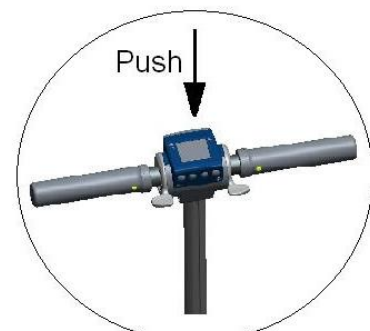
1. Open the **lock lever**, in the direction of arrow, as shown in figure (a).
2. Press the **red button**, figure (b), at the same time press down handlebars as shown in figure (c) and push the **lock lever** to the lock position.
3. Hold the **handlebar** with both hands, push buttons (1) shown in Figure (d). Pull out the **handlebar** grips (figure d), up to the maximum and fold downwards to maximum like in figure B, from previous page.
4. Push the **handlebar** forward when you press the **folding lever** in the direction of the arrow in the figure (f).
5. Continue folding the scooter until the **folding hook** reaches the **opening** located on the **rear brake**.



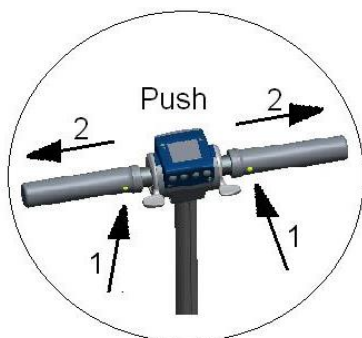
a



b



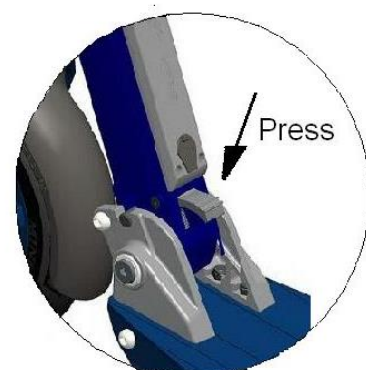
c



d



e

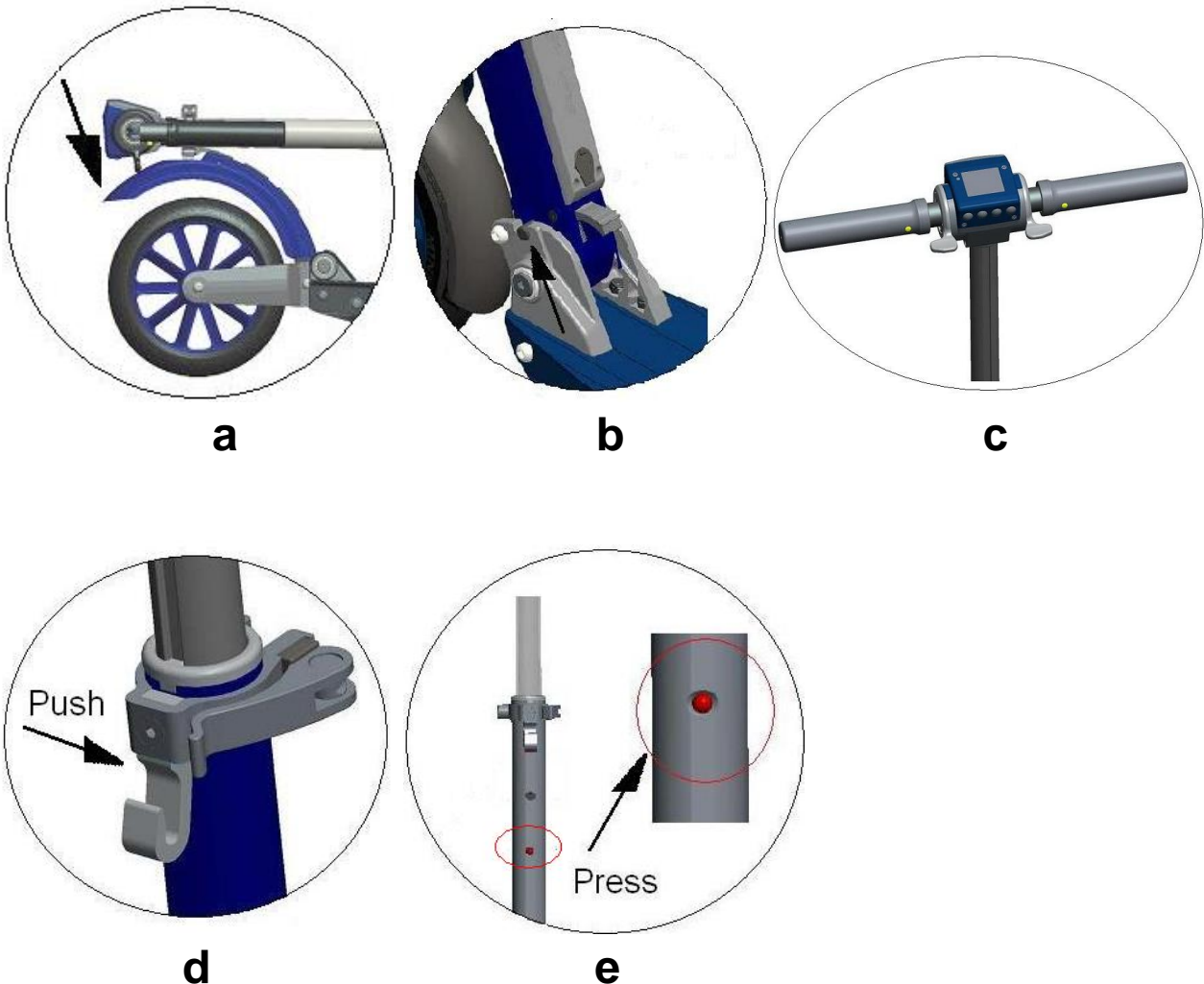


f



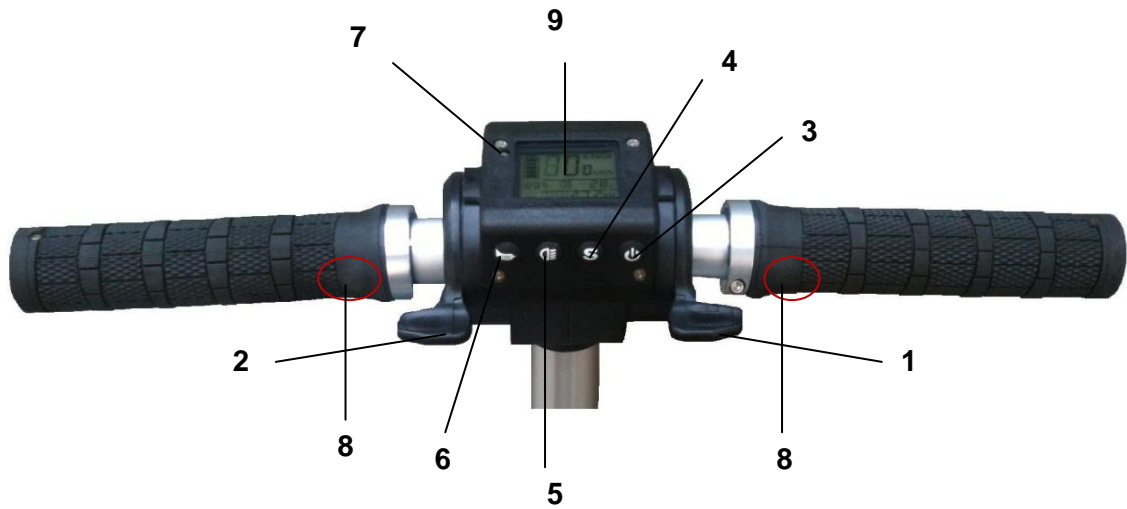
## Unfolding steps

1. Press the **rear brake** in the direction of the arrow in the figure (a) until the **folding hook** release from the opening located on the rear brake. Then, lift the **handlebar** until it reaches the working position and the **locking bolt** comes into place, like in figure (b).
2. Raise the two handles of the **handlebar** until they automatically return to the work position, figure (c).
3. Push the **lock lever** in the direction of the arrow in Figure (d) and lift handlebars to desired height. Now press button shown in Figure (e) and fix it in one of the two holes, as desired.



# OPERATION

## 1. Introduction of Handlebar parts



1. Thumb Accelerator
2. Thumb Electronic Magnetic Brake
3. Switch Button
4. Setting Button
5. On/Off Light Button
6. Horn Button
7. Led Headlight
8. Handlebar Fold Button
9. Display

## 2. Operating Instructions

### a. ON/OFF

Press the switch for 1 sec, and the display will light indicating the power is on. Press for 3 seconds if you want to turn it off. It will turn off if you don't use it for 3 minutes.

### b. Speed control

Press the right thumb accelerator to control the speed (1-30km/h).

### **c. Breaking Control**

Press the left thumb and the electronic magnetic brake will operate. The greater pressure you put, the greater breaking force will be.

### **d. Horn**

Turn on the power, when pressing the horn button it will hoot.

### **e. LED Headlight**

In manual mode: Press the On/Off Light button when needed and there will be a sign in display indicates the light is turn on. Press the button again when you do not need the light.

The scooter is equiped with a sensor light that detects the need of light. The light will turn on automaticaly (auto light mode) if the sensor detects poor ambiantal light.

For example: when is cloudy weather and the auto light mode is on, the light turns on. If the daylight is proper, the auto light mode detects the light and the headlights will go off after 5 seconds.

On auto light mode, the display is also lighted depending on the ambiantal light. If the scooter is on auto light mode, you can go to manual mode by pushing the On/Off Light Button.

### **f. Mileage Show**

When the display is powered on, It displays 2 modes: total and trip. You can change it by pressing the settings button. In '**trip**' mode, press the setting button (**S**) for 3 seconds and it will clear the trip.

### **g. Emergency**

In an emergency, it's recommended to use the foot brake.

### 3. Display Factory Setting

To access the menu P0 and P1 please press at the same time the switch and setting buttons. Pressing the setting button helps you switch between P0 and P1.

Both menus have other two submenus : 0 and 1, as follows:

P00 (a) - displays the speed in km/h and temperature in Celsius degrees

P01 (b) – displays the speed in mile/h and the temperature in Farenheit degrees

P10 (c) – lights are set on manual mode

P11(d) – lights are set on auto mode

You can switch between menus 0 and 1 in P0 or P1 by pressing the on/off button.

When you press the setting button **(S)** at last and the settings will be finished.



a)



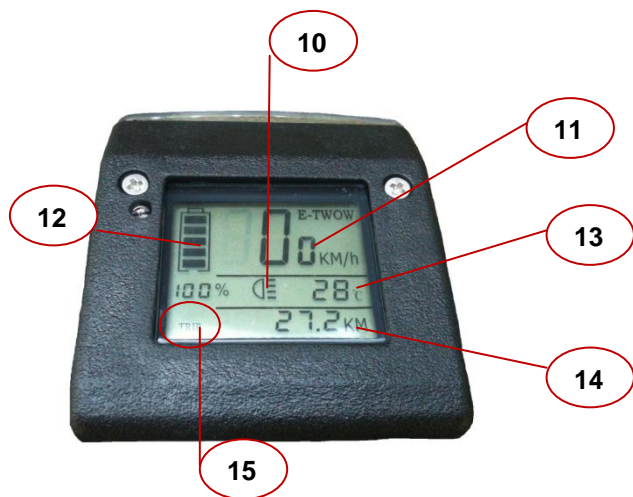
b)



c)



d)



- 10 – Light sensor
- 11 – Speed
- 12 – Battery
- 13 – Temperature
- 14 – Displays the total and trip distance
- 15 - From left to right: total, trip

## RIDING OPERATION

### Ready

1. Choose a suitable venue for riding.
2. Expand the scooter in accordance with the description.
3. Adjust the T-pipe to the suitable height according to your height.

### Start

1. Press the power button to turn on the power.
2. Stand one foot on the scooter and leave another foot on the ground.
3. Gently press down on the right thumb accelerator, the scooter will immediately move forward slowly. Place the foot which is on the ground on the scooter. With big finger of your right hand press the right thumb accelerator, the greater pressure you put, the faster it will go.

### Brake

1. Under normal circumstances, pressing the left thumb electronic magnetic brake, the scooter will be immediately de-energized and then it will brake. The greater pressure you put, the greater breaking force will be.
2. **E-Twow** also has a rear foot brake that triggers the motor brake immediately in addition to a friction brake on the back wheel. So whatever the situation is, if the first system is deactivated you can still use the foot

brake.

The electronic brake activates kinetic energy recovery system.

## **Cruise control**

You can set up the speed as you want during the driving, and the scooter will start moving on the same speed afterwards. Press the acceleration right thumb and keep the same speed for 5 seconds and the cruise control will automatically enter. You can switch the function off easily as well.

## **Zero start**

This function is for safety . When you want to ride the scooter, you should use your foot to slide it for a little distance, then press the right thumb accelerator, the scooter will go ahead. When you don't use the scooter, if you press the right thumb accelerator by mistake, the scooter can't go ahead.

# BATTERY AND CHARGER

Each **E-Twow** electric scooter is equipped with a special lithium polymer battery and special smart charger. These accessories that come with each scooter have a dedicated number, please do not use the chargers from other brands. If the battery or charger will be damaged owing to these, our company will not be responsible.

## Battery

When you get the **E-Twow** electric scooter for the first time, please charge the battery fully before using.

The battery can be charged at any time, in order to ensure that the battery has power, during which the battery will not charge for any damage.

*Warning:* do not use batteries from other brands, it will not work with **E-Twow** scooter.

Please charge the battery once every three months if stop using the scooter.

Water immersion, collisions, and other abnormal factors will lead to battery damage, which is not covered under warranty.

## Charger

The company provides dedicated charger which has a charging protection function, when the battery is 100% charged, the charger will automatically stop charging. Charging time is no more than 3 hours.

Water immersion, collisions, and other abnormal factors will lead to charger damage, which is not covered under warranty.

## Charge Description

Open the charging hole rubber protective cover, put the charger connector into the charging hole.

Connect the charger plug into the power socket.

It means it is charging when charger light is red, charger light turns green when the battery is fully charged.

# MAINTENANCE

## **Lubricating**

Please add a small amount of grease or lubricants to handle folded position every six months.

Please check scooter every three months if the screws are loose it up.

## **Battery**

The lithium polymer batteries provided by our company can be recharged at least 500 times, the normal use can reach more than 1,000 times.

## **Placement and daily care**

Do not expose the scooter under the sun or wet places for too long time. Please keep the scooter clean and dry.

For cleaning use a damp cloth and a mild detergent.



# GENERAL TROUBLESHOOTING

## Checklist

When the products have any problems, please refer to the following methods.

### 1. LED display black screen

Reason: Exposure under the sun for too long.

Solution: Place it in shadow and it will return to normal after a period.

### 2. Values from the display do not fit the actual values. Reason: Parameters are set incorrectly or missing.

Solution: Please reset the display to the factory settings.

### 3. No information on digital display

Reason: Bad battery contacts or the battery is dead.

Solution: Turn off the power then restart again, if the problem still occurs, please contact your local reseller.

In case that the product still does not operate normally, please contact your local vendor or reseller.

# PRODUCT SPECIFICATION SHEET

	Item	E-TWOW		
		ECO	MASTER	BOOSTER
<b>Specifications</b>	Overall Expand Size	940*1160*135mm		
	Overall Fold Size	940*330*150mm		
	Scooter Weight	10.7KG	10.9KG	10.8KG
	Maximum load	110KG		
<b>Capability</b>	Top Speed	27km/h	28km/h	30km/h
	Grade Ability	15 degree slope	20 degree slope	25 degree slope
	Range (with battery fully charged)	30KM	40KM	35KM
		(varied from weight, wind speed, road conditions, temperature and other factors)		
	Power Consumption	6.15Wh – 7.5Wh / Km / 75Kg		
<b>Battery parameters</b>	Type	Li-po Lithium Battery		
	Capacity	190Wh	250Wh	243Wh
<b>Motor parameters</b>	Motor type	Brushless DC Motor		
	Rated Output Max. Power	350W	450W	500W
<b>Charger parameters</b>	Input Voltage	110V/220V		
	Charging time (charger)	3-3.5hr (2A)	2-2.5hr (4A)	1.5-2hr (3.5A)